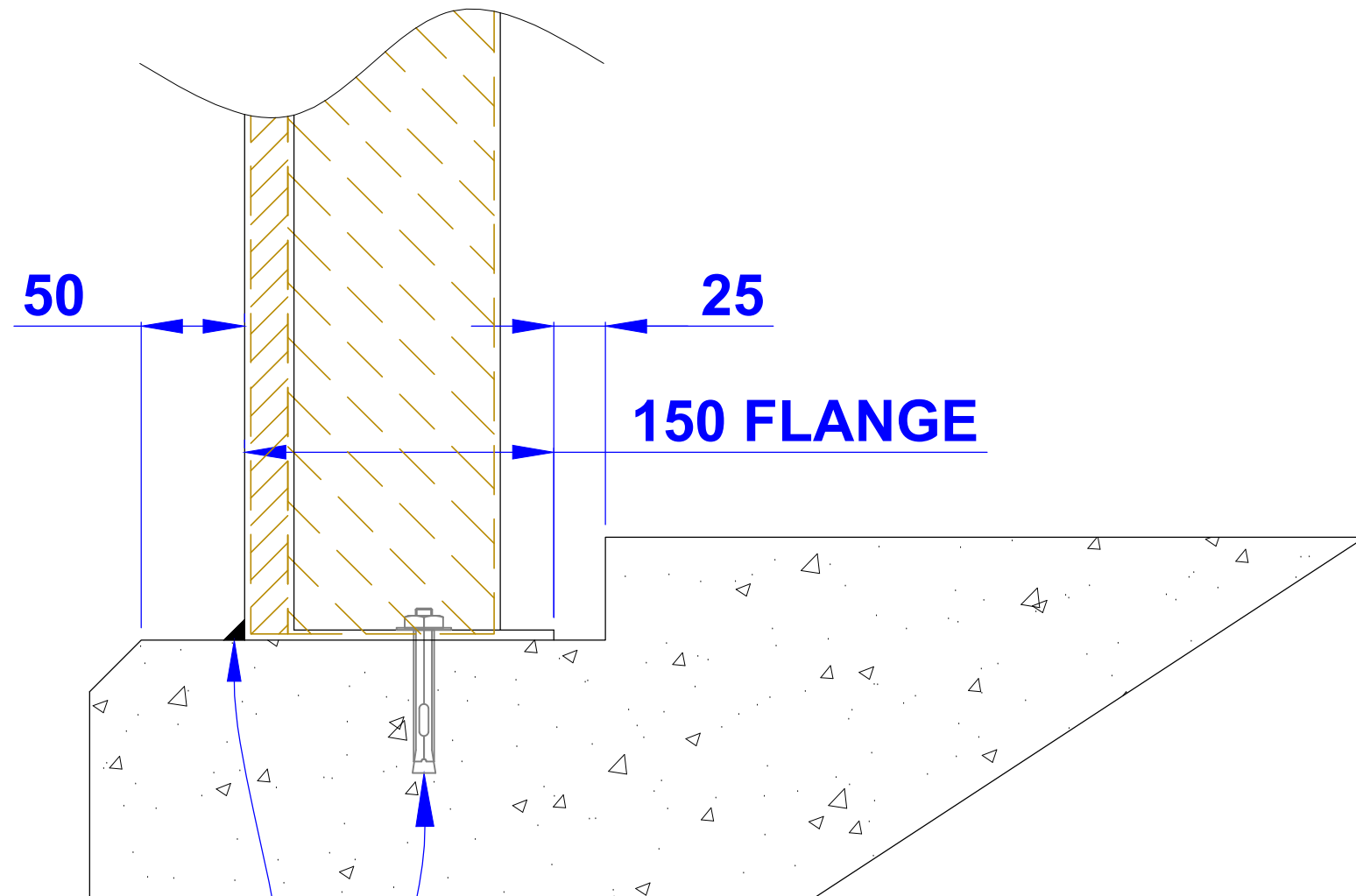


STEPPED CONCRETE BASE : RECOMMENDED.

Morgan Marine Ltd Cannot be held responsible for sealing on a flat plinth.
(Max Deviation Allowable +/- 5mm)

Any failure in the seal, resulting in subsequent site visits would be chargeable.
The step will affect clear internal height, ie
a 50mm step will reduce the clear internal height quoted by 50mm.

Gaps between the concrete base and GRP base flange - In Excess of 10mm
Will NOT be sealed by MML.



PERIMETER SEALED WITH SILICONE SEALANT

FIXED DOWN USING 10mm SLEEVE ANCHOR BOLT

REV.	DATE	DESCRIPTION	BY
*			
*			
*			
A	15/10/15	FOR INFORMATION	D.D
REVISION HISTORY			
REF	DRAWN	DATE	DRAWING NUMBER
N/A N/A	D DAVIES	15/10/15	A3 N/A GA