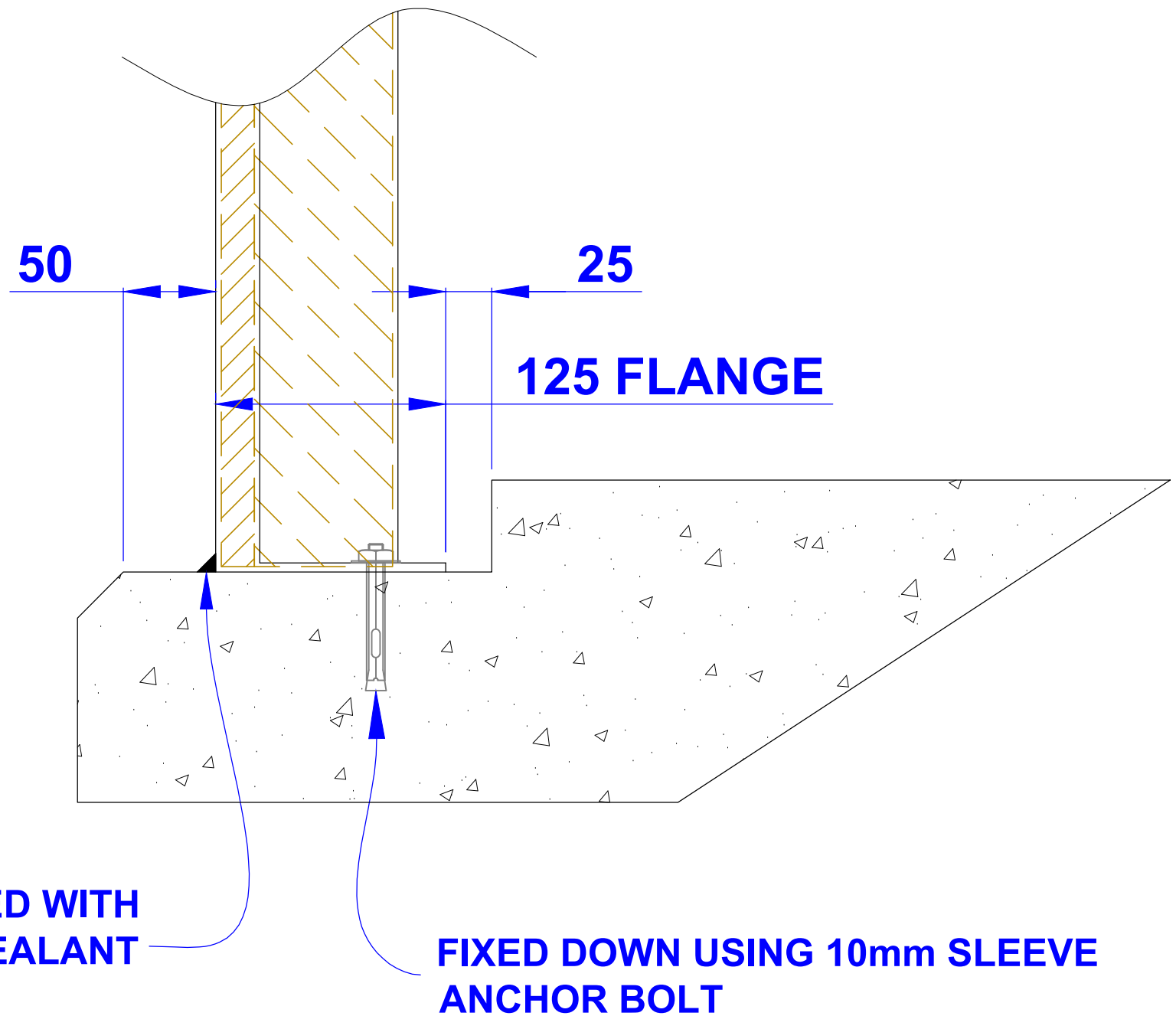


## **STEPPED CONCRETE BASE :** **RECOMMENDED.**

Morgan Marine Ltd Cannot be held responsible for sealing on a flat plinth.  
(Max Deviation Allowable +/- 5mm)  
Any failure in the seal, resulting in subsequent site visits would be chargeable.  
The step will affect clear internal height, ie a 50mm step will reduce the clear internal height quoted by 50mm.

Gaps between the concrete base and GRP base flange - In Excess of 10mm  
Will NOT be sealed by MML.



REF	DRAWN	DATE	DRAWING NUMBER
N/A	D DAVIES	15/10/15	A3 N/A GA

REV.	DATE	DESCRIPTION	BY
A	15/10/15	FOR INFORMATION	D.D